

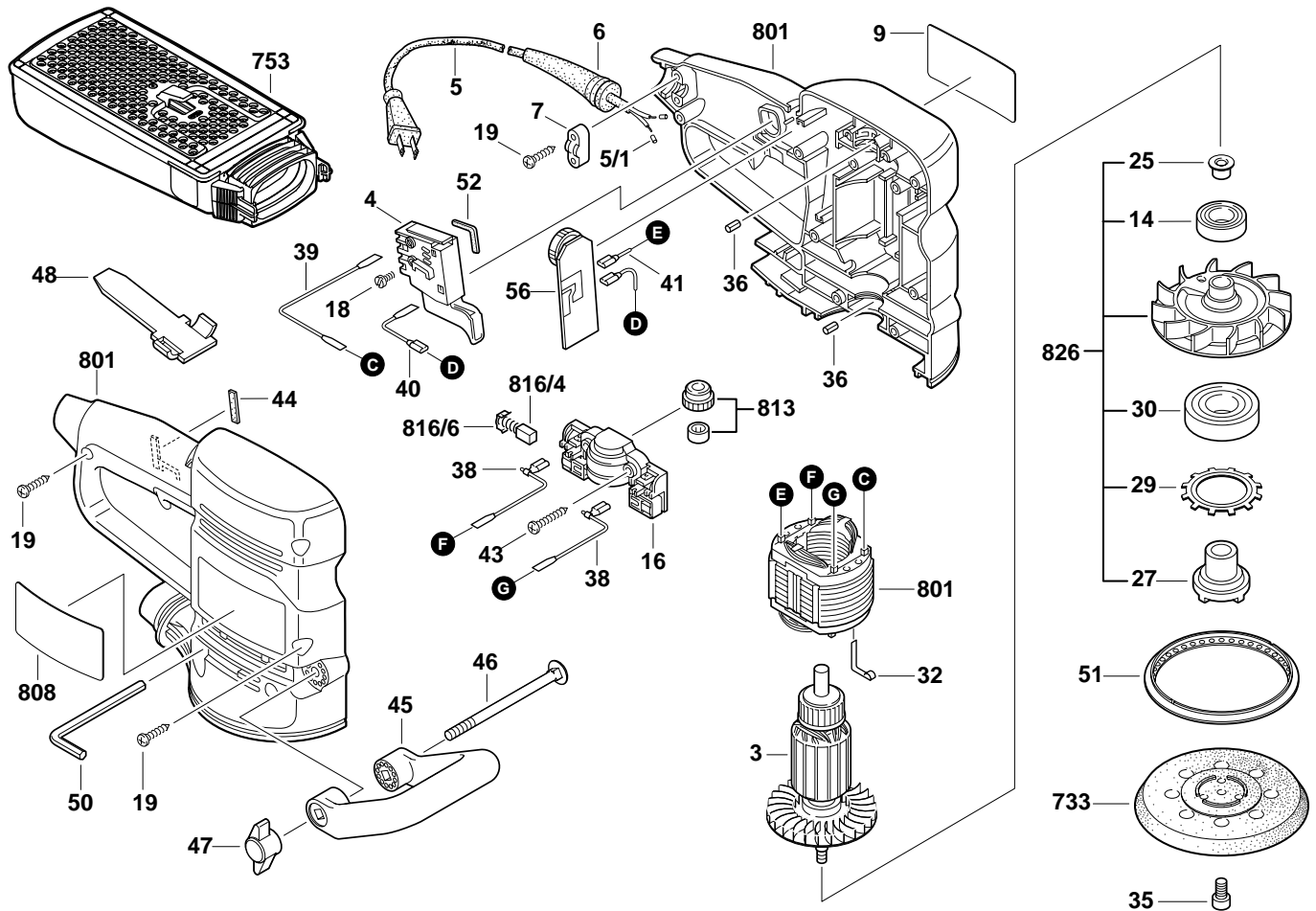
# BOSCH

January 2003  
INDUSTRIAL

## 5" RANDOM ORBIT SANDER

Model 0603310639

# 3107DVS



Pos.	Part Number	Description {Qty.}	F/C	Pos.	Part Number	Description {Qty.}	F/C
3	2 604 011 264	Armature w/Fan 120V	AW	41	2 604 448 183	Cable 83mm	10
4	2 607 200 260	Switch On/Off	15	43	2 914 201 707	Screw {2}	89
5	3 604 460 555	Cord	11	44	2 602 380 003	Seal Strip	77
5/1	1 900 452 012	Terminal Sleeve {2}	11	45	2 602 025 068	Handle	74
6	2 600 703 018	Strain Relief	11	46	2 910 285 226	Carriage Bolt	89
7	2 601 035 001	Cord Clamp	89	47	1 603 339 006	Wing Nut	89
9	2 601 117 771	Label	9	48	2 608 005 043	Bag Support Bar	9
14	2 600 905 034	Ball Bearing	61	50	1 907 950 006	Allen Wrench 5mm	9
16	2 609 992 609	Brush Holder Assembly w/pos. 816/4, 816/6	25	51	2 600 206 015	Dampening Ring	79
18	2 603 410 001	Screw {2}	89	52	2 601 022 000	Seal Strip	77
19	2 914 201 705	Screw {10}	89	56	2 607 233 022	Speed Control	17
25	2 600 422 004	Sleeve	82	733	2 610 917 407	Backing Pad - extra soft	88
27	2 600 328 027	Drive Coupling	40	733	2 610 917 408	Backing Pad - soft	88
29	2 600 190 059	Star Washer	65	733	2 610 917 409	Backing Pad - hard	88
30	2 600 905 058	Ball Bearing	56	753	2 610 917 259	Dust Cannister	9
32	2 601 329 057	Spring Clip	27	801	2 605 104 802	Housing Assy. w/Field	71
35	2 603 414 050	Screw	85	808	2 601 117 727	Nameplate	9
36	1 603 100 036	Rubber Buffer {2}	9	813	2 605 805 005	Needle Bearing Assy.	60
38	2 604 448 180	Cable 113mm {2}	10	816/4	2 604 321 905	Brush Set	26
39	2 604 448 181	Cable 233mm	10	816/6	2 601 322 013	Clip {2}	9
40	2 604 448 182	Cable 83mm	10	826	2 606 610 901	Dust Fan/Coupling Assy. w/pos. 14, 25, 27, 29, 30	40

+ = Not Illustrated \* = As Required F/C = Failure Code AW = Refer to AW Labor Time Chart